

SECTION **INT**  
INTERIOR

A  
B  
C  
D  
E  
F  
G  
H  
I  
INT  
K  
L  
M  
N  
O  
P

CONTENTS

<b>SYMPTOM DIAGNOSIS</b> .....	2	<b>DOOR FINISHER</b> .....	11
<b>SQUEAK AND RATTLE TROUBLE DIAG- NOSES</b> .....	2	Exploded View .....	11
Work Flow .....	2	Removal and Installation .....	11
Inspection Procedure .....	4	<b>BODY SIDE TRIM</b> .....	14
Diagnostic Worksheet .....	6	Exploded View .....	14
<b>PRECAUTION</b> .....	8	Removal and Installation .....	14
<b>PRECAUTIONS</b> .....	8	<b>REAR PARCEL SHELF FINISHER</b> .....	19
Precaution for Supplemental Restraint System (SRS) "AIR BAG" and "SEAT BELT PRE-TEN- SIONER" .....	8	Exploded View .....	19
Precaution Necessary for Steering Wheel Rota- tion after Battery Disconnect .....	8	Removal and Installation .....	19
Precaution for Procedure without Cowl Top Cover.....	9	<b>FLOOR TRIM</b> .....	21
Precaution for Work .....	9	Exploded View .....	21
<b>PREPARATION</b> .....	10	Removal and Installation .....	21
<b>PREPARATION</b> .....	10	<b>HEADLINING</b> .....	23
Special Service Tools .....	10	Exploded View .....	23
Commercial Service Tools .....	10	Removal and Installation .....	24
<b>REMOVAL AND INSTALLATION</b> .....	11	<b>TRUNK ROOM TRIM</b> .....	27
		Exploded View .....	27
		Removal and Installation .....	27
		<b>TRUNK LID TRIM</b> .....	28
		Exploded View .....	28
		Removal and Installation .....	28

# SQUEAK AND RATTLE TROUBLE DIAGNOSES

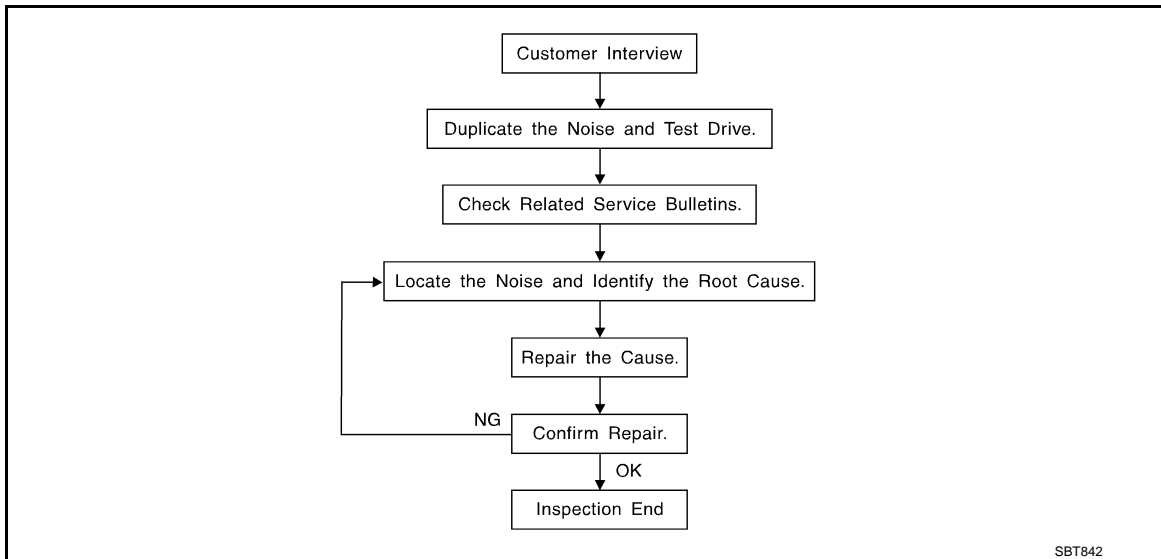
< SYMPTOM DIAGNOSIS >

## SYMPTOM DIAGNOSIS

### SQUEAK AND RATTLE TROUBLE DIAGNOSES

#### Work Flow

INFOID:000000001831462



#### CUSTOMER INTERVIEW

Interview the customer if possible, to determine the conditions that exist when the noise occurs. Use the Diagnostic Worksheet during the interview to document the facts and conditions when the noise occurs and any of customer's comments; refer to [INT-6. "Diagnostic Worksheet"](#). This information is necessary to duplicate the conditions that exist when the noise occurs.

- The customer may not be able to provide a detailed description or the location of the noise. Attempt to obtain all the facts and conditions that exist when the noise occurs (or does not occur).
- If there is more than one noise in the vehicle, perform a diagnosis and repair the noise that the customer is concerned about. This can be accomplished by performing a cruise test on the vehicle with the customer.
- After identifying the type of noise, isolate the noise in terms of its characteristics. The noise characteristics are provided so the customer, service adviser and technician are all speaking the same language when defining the noise.
- Squeak – (Like tennis shoes on a clean floor)  
Squeak characteristics include the light contact/fast movement/brought on by road conditions/hard surfaces = higher pitch noise/softer surfaces = lower pitch noises/edge to surface = chirping
- Creak – (Like walking on an old wooden floor)  
Creak characteristics include firm contact/slow movement/twisting with a rotational movement/pitch dependent on materials/often brought on by activity.
- Rattle – (Like shaking a baby rattle)  
Rattle characteristics include the fast repeated contact/vibration or similar movement/loose parts/missing clip or fastener/incorrect clearance.
- Knock – (Like a knock on a door)  
Knock characteristics include hollow sounding/sometimes repeating/often brought on by driver action.
- Tick – (Like a clock second hand)  
Tick characteristics include gentle contacting of light materials/loose components/can be caused by driver action or road conditions.
- Thump – (Heavy, muffled knock noise)  
Thump characteristics include softer knock/dead sound often brought on by activity.
- Buzz – (Like a bumblebee)  
Buzz characteristics include high frequency rattle/firm contact.
- Often the degree of acceptable noise level will vary depending up on the person. A noise that you may judge as acceptable may be very irritating to the customer.
- Weather conditions, especially humidity and temperature, may have a great effect on noise level.

#### DUPLICATE THE NOISE AND TEST DRIVE

# SQUEAK AND RATTLE TROUBLE DIAGNOSES

## < SYMPTOM DIAGNOSIS >

If possible, drive the vehicle with the customer until the noise is duplicated. Note any additional information on the Diagnostic Worksheet regarding the conditions or location of the noise. This information can be used to duplicate the same conditions when you confirm the repair.

If the noise can be duplicated easily during the test drive, to help identify the source of the noise, try to duplicate the noise with the vehicle stopped by doing one or all of the following:

- 1) Close a door.
  - 2) Tap or push/pull around the area where the noise appears to be coming from.
  - 3) Rev the engine.
  - 4) Use a floor jack to recreate vehicle "twist".
  - 5) At idle, apply engine load (electrical load, half-clutch on M/T models, drive position on A/T models).
  - 6) Raise the vehicle on a hoist and hit a tire with a rubber hammer.
- Drive the vehicle and attempt to duplicate the conditions the customer states exist when the noise occurs.
  - If it is difficult to duplicate the noise, drive the vehicle slowly on an undulating or rough road to stress the vehicle body.

## CHECK RELATED SERVICE BULLETINS

After verifying the customer concern or symptom, check ASIST for Technical Service Bulletins (TSBs) related to that concern or symptom.

If a TSB relates to the symptom, follow the procedure to repair the noise.

## LOCATE THE NOISE AND IDENTIFY THE ROOT CAUSE

1. Narrow down the noise to a general area. To help pinpoint the source of the noise, use a listening tool (Chassis Ear: J-39570, Engine Ear and mechanics stethoscope).
2. Narrow down the noise to a more specific area and identify the cause of the noise by:
  - Removing the components in the area that you suspect the noise is coming from.  
Do not use too much force when removing clips and fasteners, otherwise clips and fastener can be broken or lost during the repair, resulting in the creation of new noise.
  - Tapping or pushing/pulling the component that you suspect is causing the noise.  
Do not tap or push/pull the component with excessive force, otherwise the noise will be eliminated only temporarily.
  - Feeling for a vibration with your hand by touching the component(s) that you suspect is (are) causing the noise.
  - Placing a piece of paper between components that you suspect are causing the noise.
  - Looking for loose components and contact marks.  
Refer to [INT-4, "Inspection Procedure"](#).

## REPAIR THE CAUSE

- If the cause is a loose component, tighten the component securely.
- If the cause is insufficient clearance between components:
  - Separate components by repositioning or loosening and retightening the component, if possible.
  - Insulate components with a suitable insulator such as urethane pads, foam blocks, felt cloth tape or urethane tape. A Nissan Squeak and Rattle Kit (J-43980) is available through your authorized Nissan Parts Department.

### **CAUTION:**

**Do not use excessive force as many components are constructed of plastic and may be damaged.**

### **NOTE:**

Always check with the Parts Department for the latest parts information.

The following materials are contained in the Nissan Squeak and Rattle Kit (J-43980). Each item can be ordered separately as needed.

URETHANE PADS [1.5 mm (0.059 in) thick]

Insulates connectors, harness, etc.

76268-9E005: 100 × 135 mm (3.94 × 5.31 in)/76884-71L01: 60 × 85 mm (2.36 × 3.35 in)/76884-71L02: 15 × 25 mm (0.59 × 0.98 in)

INSULATOR (Foam blocks)

Insulates components from contact. Can be used to fill space behind a panel.

73982-9E000: 45 mm (1.77 in) thick, 50 × 50 mm (1.97 × 1.97 in)/73982-

50Y00: 10 mm (0.39 in) thick, 50 × 50 mm (1.97 × 1.97 in)

INSULATOR (Light foam block)

80845-71L00: 30 mm (1.18 in) thick, 30 × 50 mm (1.18 × 1.97in)

FELT CLOTHTAPE

Used to insulate where movement does not occur. Ideal for instrument panel applications.

# SQUEAK AND RATTLE TROUBLE DIAGNOSES

## < SYMPTOM DIAGNOSIS >

---

68370-4B000: 15 × 25 mm (0.59 × 0.98 in) pad/68239-13E00: 5 mm (0.20 in) wide tape roll

The following materials, not found in the kit, can also be used to repair squeaks and rattles.

### UHMW (TEFLON) TAPE

Insulates where slight movement is present. Ideal for instrument panel applications.

### SILICONE GREASE

Used in place of UHMW tape that will be visible or not fit. Will only last a few months.

### SILICONE SPRAY

Use when grease cannot be applied.

### DUCT TAPE

Use to eliminate movement.

## CONFIRM THE REPAIR

Confirm that the cause of a noise is repaired by test driving the vehicle. Operate the vehicle under the same conditions as when the noise originally occurred. Refer to the notes on the Diagnostic Worksheet.

## Inspection Procedure

INFOID:000000001831463

Refer to Table of Contents for specific component removal and installation information.

## INSTRUMENT PANEL

Most incidents are caused by contact and movement between:

1. The cluster lid A and instrument panel
2. Acrylic lens and combination meter housing
3. Instrument panel to front pillar garnish
4. Instrument panel to windshield
5. Instrument panel mounting pins
6. Wiring harnesses behind the combination meter
7. A/C defroster duct and duct joint

These incidents can usually be located by tapping or moving the components to duplicate the noise or by pressing on the components while driving to stop the noise. Most of these incidents can be repaired by applying felt cloth tape or silicon spray (in hard to reach areas). Urethane pads can be used to insulate wiring harness.

### **CAUTION:**

**Do not use silicone spray to isolate a squeak or rattle. If you saturate the area with silicone, you will not be able to recheck the repair.**

## CENTER CONSOLE

Components to pay attention to include:

1. Shifter assembly cover to finisher
2. A/C control unit and cluster lid C
3. Wiring harnesses behind audio and A/C control unit

The instrument panel repair and isolation procedures also apply to the center console.

## DOORS

Pay attention to the:

1. Finisher and inner panel making a slapping noise
2. Inside handle escutcheon to door finisher
3. Wiring harnesses tapping
4. Door striker out of alignment causing a popping noise on starts and stops

Tapping or moving the components or pressing on them while driving to duplicate the conditions can isolate many of these incidents. You can usually insulate the areas with felt cloth tape or insulator foam blocks from the Nissan Squeak and Rattle Kit (J-43980) to repair the noise.

## TRUNK

Trunk noises are often caused by a loose jack or loose items put into the trunk by the owner.

In addition look for:

1. Trunk lid dumpers out of adjustment
2. Trunk lid striker out of adjustment

# SQUEAK AND RATTLE TROUBLE DIAGNOSES

## < SYMPTOM DIAGNOSIS >

---

3. The trunk lid torsion bars knocking together
4. A loose license plate or bracket

Most of these incidents can be repaired by adjusting, securing or insulating the item(s) or component(s) causing the noise.

## SUNROOF/HEADLINING

Noises in the sunroof/headlining area can often be traced to one of the following:

1. Sunroof lid, rail, linkage or seals making a rattle or light knocking noise
2. Sunvisor shaft shaking in the holder
3. Front or rear windshield touching headlining and squeaking

Again, pressing on the components to stop the noise while duplicating the conditions can isolate most of these incidents. Repairs usually consist of insulating with felt cloth tape.

## SEATS

When isolating seat noise it's important to note the position the seat is in and the load placed on the seat when the noise is present. These conditions should be duplicated when verifying and isolating the cause of the noise.

Cause of seat noise include:

1. Headrest rods and holder
2. A squeak between the seat pad cushion and frame
3. The rear seatback lock and bracket

These noises can be isolated by moving or pressing on the suspected components while duplicating the conditions under which the noise occurs. Most of these incidents can be repaired by repositioning the component or applying urethane tape to the contact area.

## UNDERHOOD

Some interior noise may be caused by components under the hood or on the engine wall. The noise is then transmitted into the passenger compartment.

Causes of transmitted under hood noise include:

1. Any component mounted to the engine wall
2. Components that pass through the engine wall
3. Engine wall mounts and connectors
4. Loose radiator mounting pins
5. Hood bumpers out of adjustment
6. Hood striker out of adjustment

These noises can be difficult to isolate since they cannot be reached from the interior of the vehicle. The best method is to secure, move or insulate one component at a time and test drive the vehicle. Also, engine RPM or load can be changed to isolate the noise. Repairs can usually be made by moving, adjusting, securing, or insulating the component causing the noise.

A  
B  
C  
D  
E  
F  
G  
H  
I  
K  
L  
M  
N  
O  
P

INT

# SQUEAK AND RATTLE TROUBLE DIAGNOSES

< SYMPTOM DIAGNOSIS >

## Diagnostic Worksheet

INFOID:000000001831464



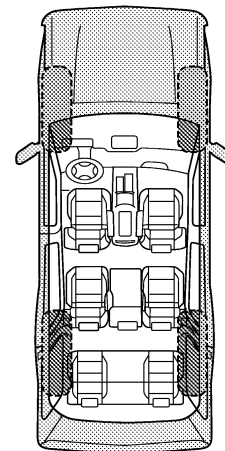
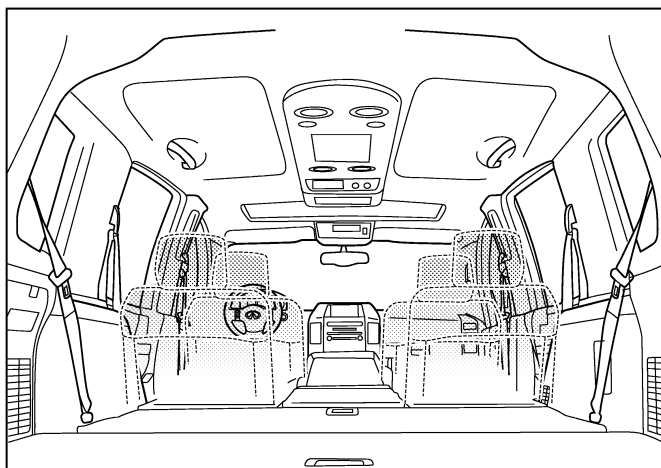
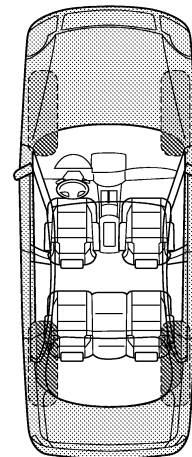
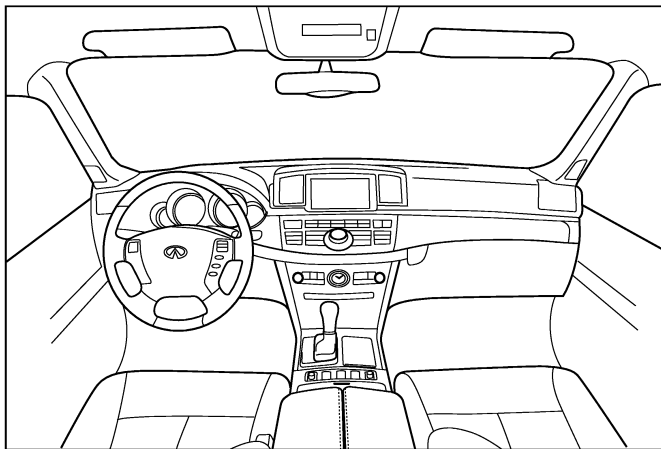
### SQUEAK & RATTLE DIAGNOSTIC WORKSHEET

Dear Infiniti Customer:

We are concerned about your satisfaction with your Infiniti vehicle. Repairing a squeak or rattle sometimes can be very difficult. To help us fix your Infiniti right the first time, please take a moment to note the area of the vehicle where the squeak or rattle occurs and under what conditions. You may be asked to take a test drive with a service consultant or technician to ensure we confirm the noise you are hearing.

#### I. WHERE DOES THE NOISE COME FROM? (circle the area of the vehicle)

The illustrations are for reference only, and may not reflect the actual configuration of your vehicle.



Continue to page 2 of the worksheet and briefly describe the location of the noise or rattle. In addition, please indicate the conditions which are present when the noise occurs.

PIIB8741E

# SQUEAK AND RATTLE TROUBLE DIAGNOSES

< SYMPTOM DIAGNOSIS >

## SQUEAK & RATTLE DIAGNOSTIC WORKSHEET - page 2

Briefly describe the location where the noise occurs:

---

---

### II. WHEN DOES IT OCCUR? (please check the boxes that apply)

- |   |  |
|---|--|
| <input type="checkbox"/> anytime                      | <input type="checkbox"/> after sitting out in the rain |
| <input type="checkbox"/> 1st time in the morning      | <input type="checkbox"/> when it is raining or wet     |
| <input type="checkbox"/> only when it is cold outside | <input type="checkbox"/> dry or dusty conditions       |
| <input type="checkbox"/> only when it is hot outside  | <input type="checkbox"/> other:                        |

### III. WHEN DRIVING:

- through driveways
- over rough roads
- over speed bumps
- only about \_\_\_\_ mph
- on acceleration
- coming to a stop
- on turns: left, right or either (circle)
- with passengers or cargo
- other: \_\_\_\_\_
- after driving \_\_\_\_ miles or \_\_\_\_ minutes

### IV. WHAT TYPE OF NOISE

- squeak (like tennis shoes on a clean floor)
- creak (like walking on an old wooden floor)
- rattle (like shaking a baby rattle)
- knock (like a knock at the door)
- tick (like a clock second hand)
- thump (heavy, muffled knock noise)
- buzz (like a bumble bee)

### TO BE COMPLETED BY DEALERSHIP PERSONNEL

#### Test Drive Notes:

---

---

---

	YES	NO	Initials of person performing
Vehicle test driven with customer	<input type="checkbox"/>	<input type="checkbox"/>	_____
- Noise verified on test drive	<input type="checkbox"/>	<input type="checkbox"/>	_____
- Noise source located and repaired	<input type="checkbox"/>	<input type="checkbox"/>	_____
- Follow up test drive performed to confirm repair	<input type="checkbox"/>	<input type="checkbox"/>	_____

VIN: \_\_\_\_\_ Customer Name: \_\_\_\_\_  
W.O.# \_\_\_\_\_ Date: \_\_\_\_\_

This form must be attached to Work Order

PIIB8742E

A  
B  
C  
D  
E  
F  
G  
H  
I  
INT  
K  
L  
M  
N  
O  
P

# PRECAUTIONS

< PRECAUTION >

## PRECAUTION

### PRECAUTIONS

#### Precaution for Supplemental Restraint System (SRS) "AIR BAG" and "SEAT BELT PRE-TENSIONER"

INFOID:000000001831465

The Supplemental Restraint System such as "AIR BAG" and "SEAT BELT PRE-TENSIONER", used along with a front seat belt, helps to reduce the risk or severity of injury to the driver and front passenger for certain types of collision. This system includes seat belt switch inputs and dual stage front air bag modules. The SRS system uses the seat belt switches to determine the front air bag deployment, and may only deploy one front air bag, depending on the severity of a collision and whether the front occupants are belted or unbelted. Information necessary to service the system safely is included in the "SRS AIR BAG" and "SEAT BELT" of this Service Manual.

#### **WARNING:**

- To avoid rendering the SRS inoperative, which could increase the risk of personal injury or death in the event of a collision which would result in air bag inflation, all maintenance must be performed by an authorized NISSAN/INFINITI dealer.
- Improper maintenance, including incorrect removal and installation of the SRS, can lead to personal injury caused by unintentional activation of the system. For removal of Spiral Cable and Air Bag Module, see the "SRS AIR BAG".
- Do not use electrical test equipment on any circuit related to the SRS unless instructed to in this Service Manual. SRS wiring harnesses can be identified by yellow and/or orange harnesses or harness connectors.

#### PRECAUTIONS WHEN USING POWER TOOLS (AIR OR ELECTRIC) AND HAMMERS

#### **WARNING:**

- When working near the Air Bag Diagnosis Sensor Unit or other Air Bag System sensors with the ignition ON or engine running, DO NOT use air or electric power tools or strike near the sensor(s) with a hammer. Heavy vibration could activate the sensor(s) and deploy the air bag(s), possibly causing serious injury.
- When using air or electric power tools or hammers, always switch the ignition OFF, disconnect the battery, and wait at least 3 minutes before performing any service.

#### Precaution Necessary for Steering Wheel Rotation after Battery Disconnect

INFOID:000000003036039

#### **NOTE:**

- Before removing and installing any control units, first turn the push-button ignition switch to the LOCK position, then disconnect both battery cables.
- After finishing work, confirm that all control unit connectors are connected properly, then re-connect both battery cables.
- Always use CONSULT-III to perform self-diagnosis as a part of each function inspection after finishing work. If a DTC is detected, perform trouble diagnosis according to self-diagnosis results.

This vehicle is equipped with a push-button ignition switch and a steering lock unit.

If the battery is disconnected or discharged, the steering wheel will lock and cannot be turned.

If turning the steering wheel is required with the battery disconnected or discharged, follow the procedure below before starting the repair operation.

#### OPERATION PROCEDURE

1. Connect both battery cables.

#### **NOTE:**

Supply power using jumper cables if battery is discharged.

2. Turn the push-button ignition switch to ACC position.  
(At this time, the steering lock will be released.)
3. Disconnect both battery cables. The steering lock will remain released with both battery cables disconnected and the steering wheel can be turned.
4. Perform the necessary repair operation.



# PRECAUTIONS

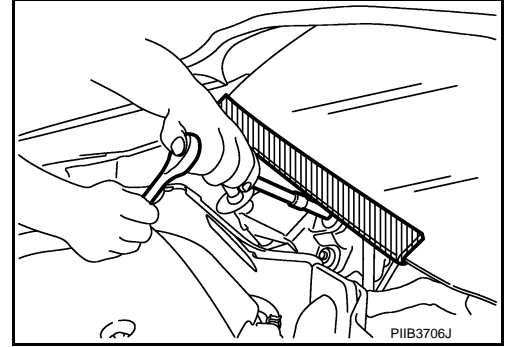
## < PRECAUTION >

5. When the repair work is completed, re-connect both battery cables. With the brake pedal released, turn the push-button ignition switch from ACC position to ON position, then to LOCK position. (The steering wheel will lock when the push-button ignition switch is turned to LOCK position.)
6. Perform self-diagnosis check of all control units using CONSULT-III.

### Precaution for Procedure without Cowl Top Cover

INFOID:000000001831466

When performing the procedure after removing cowl top cover, cover the lower end of windshield with urethane, etc.



### Precaution for Work

INFOID:000000001831467

- After removing and installing the opening/closing parts, be sure to carry out fitting adjustments to check their operation.
- Check the lubrication level, damage, and wear of each part. If necessary, grease or replace it.

A  
B  
C  
D  
E  
F  
G  
H  
I  
K  
L  
M  
N  
O  
P

INT

# PREPARATION

< PREPARATION >

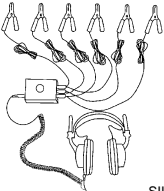
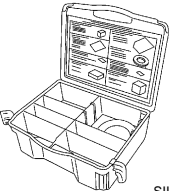
## PREPARATION

### PREPARATION

#### Special Service Tools

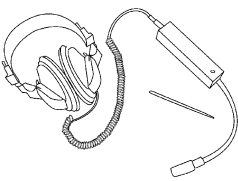
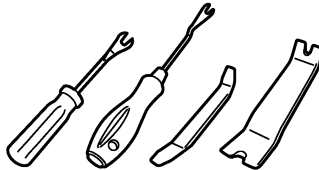
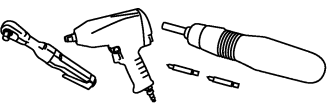
INFOID:000000001831468

The actual shapes of Kent-Moore tools may differ from those of special service tools illustrated here.

Tool number (Kent-Moore No.) Tool name	Description
(J-39570) Chassis ear   SIIA0993E	Location the noise
(J-43980) NISSAN Squeak and Rattle Kit   SIIA0994E	Repairing the cause of noise

#### Commercial Service Tools

INFOID:000000001831469

Tool name	Description
Engine ear   SIIA0995E	Locates the noise
Remover tool   JMKIA3050ZZ	Removes the clips, pawls and metal clips
Power tool   PIIB1407E	

# DOOR FINISHER

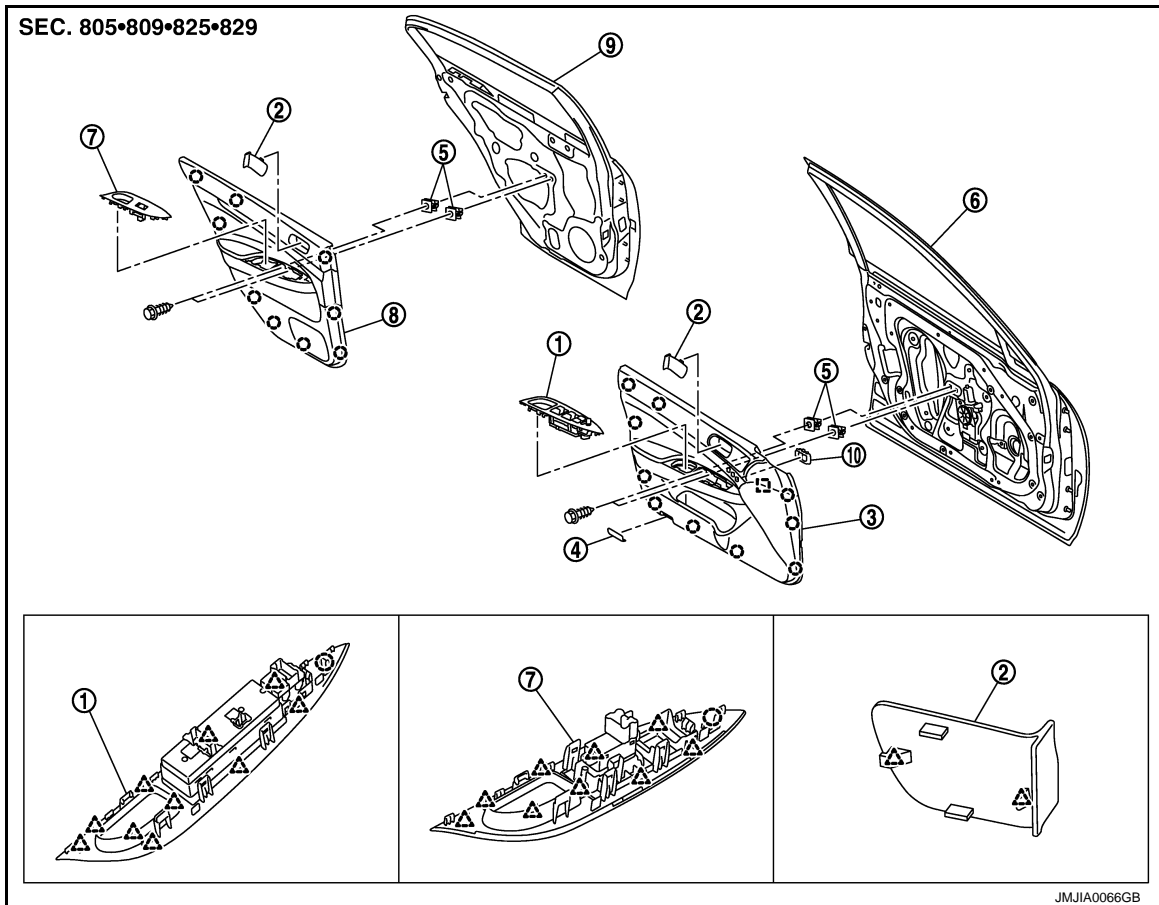
< REMOVAL AND INSTALLATION >

## REMOVAL AND INSTALLATION


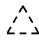
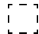
### DOOR FINISHER

Exploded View

INFOID:000000001831470



- |   |                             |                        |
|---|-----------------------------|------------------------|
| 1. Power window switch finisher (front) | 2. Inside handle escutcheon | 3. Front door finisher |
| 4. Step lamp                            | 5. Grommet                  | 6. Front door panel    |
| 7. Power window switch finisher (rear)  | 8. Rear door finisher       | 9. Rear door panel     |
| 10. Seat memory switch                  |                             |                        |

-  : Clip
-  : Pawl
-  : Metal clip

### Removal and Installation

INFOID:000000001831471

#### REMOVAL

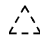
#### FRONT AND REAR DOOR FINISHER

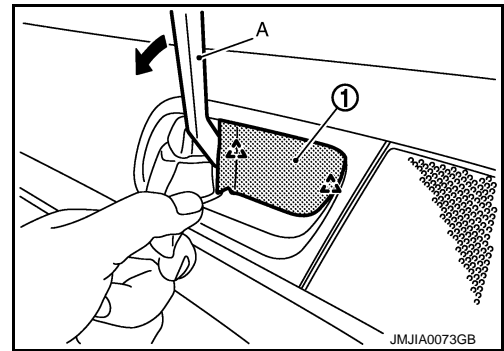
1. Fully open door window.

# DOOR FINISHER

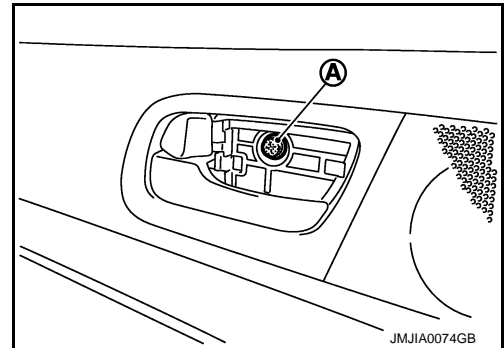
## < REMOVAL AND INSTALLATION >

2. Remove inside handle escutcheon (1) with remover tool (A).


 : Pawl

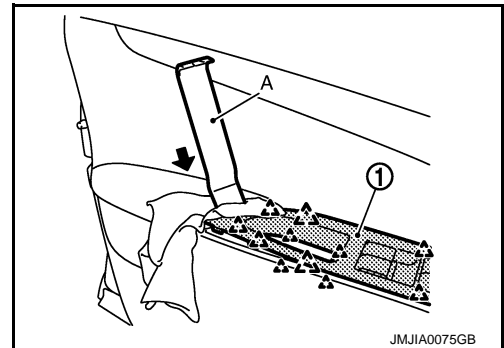


3. Remove screw (A), located on the back side of inside handle escutcheon.

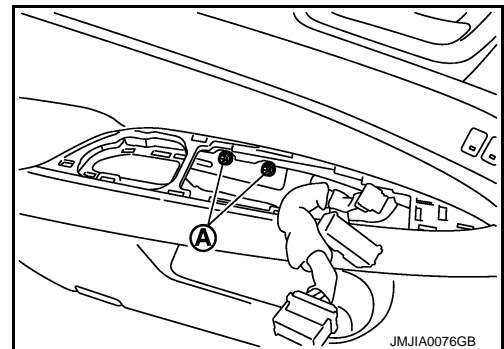


4. Pull up power window switch finisher (1) with remover tool (A).
5. Disconnect power window switch connector, and then remove power window switch finisher.

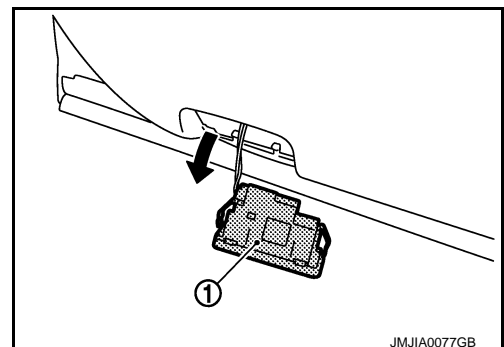
 : Pawl



6. Remove screws (A), located on the back side of power window finisher.




7. Remove step lamp (1).  
Refer to [INL-101. "Removal and Installation"](#).



# DOOR FINISHER

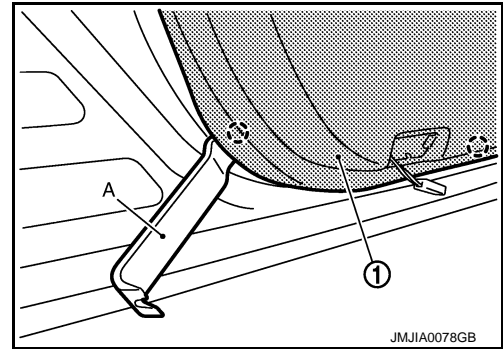
## < REMOVAL AND INSTALLATION >

8. Insert a remover tool (A) into clips on door finisher (1), and disengage clips.

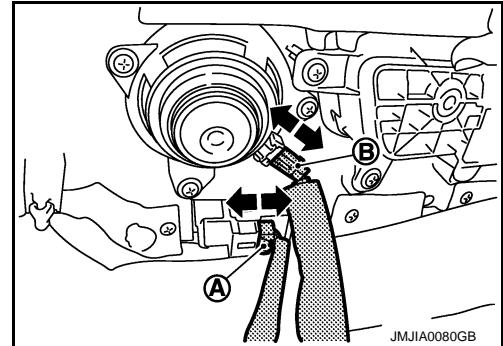
 : Clip

**CAUTION:**

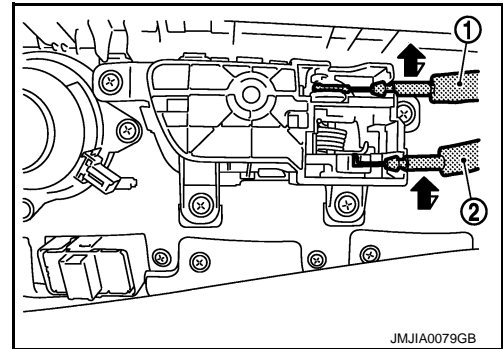
Insert a remover tool (A) into the part shown by the arrow (between the clips and the body side panel).



9. Pull up door finisher and pull out toward vehicle inside.
- Disconnect seat memory switch connector (A). (with ADP)
  - Disconnect tweeter connector (B). (with BASE AUDIO)
  - Disconnect front door squawker connector (B). (with BOSE AUDIO)



10. Disconnect lock knob cable (1) and inside handle cable (2) from door inside handle assembly.



11. Remove door finisher.
12. Remove the following parts after removing door finisher.
- Front door inside handle assembly. Refer to [DLK-241, "FRONT DOOR LOCK : Removal and Installation"](#).
  - Rear door inside handle assembly. Refer to [DLK-244, "REAR DOOR LOCK : Removal and Installation"](#).
  - Seat memory switch. (with ADP) Refer to [ADP-227, "Removal and Installation"](#).
  - Tweeter (with BASE AUDIO). Refer to [AV-608, "Removal and Installation"](#).
  - Front door squawker (with BOSE AUDIO). Refer to [AV-324, "Removal and Installation"](#).

## INSTALLATION

Install in the reverse order of removal.

**CAUTION:**

When installing door finisher, check that clips are securely fitted in panel holes on body, and then press them in.

A  
B  
C  
D  
E  
F  
G  
H  
I  
INT  
K  
L  
M  
N  
O  
P

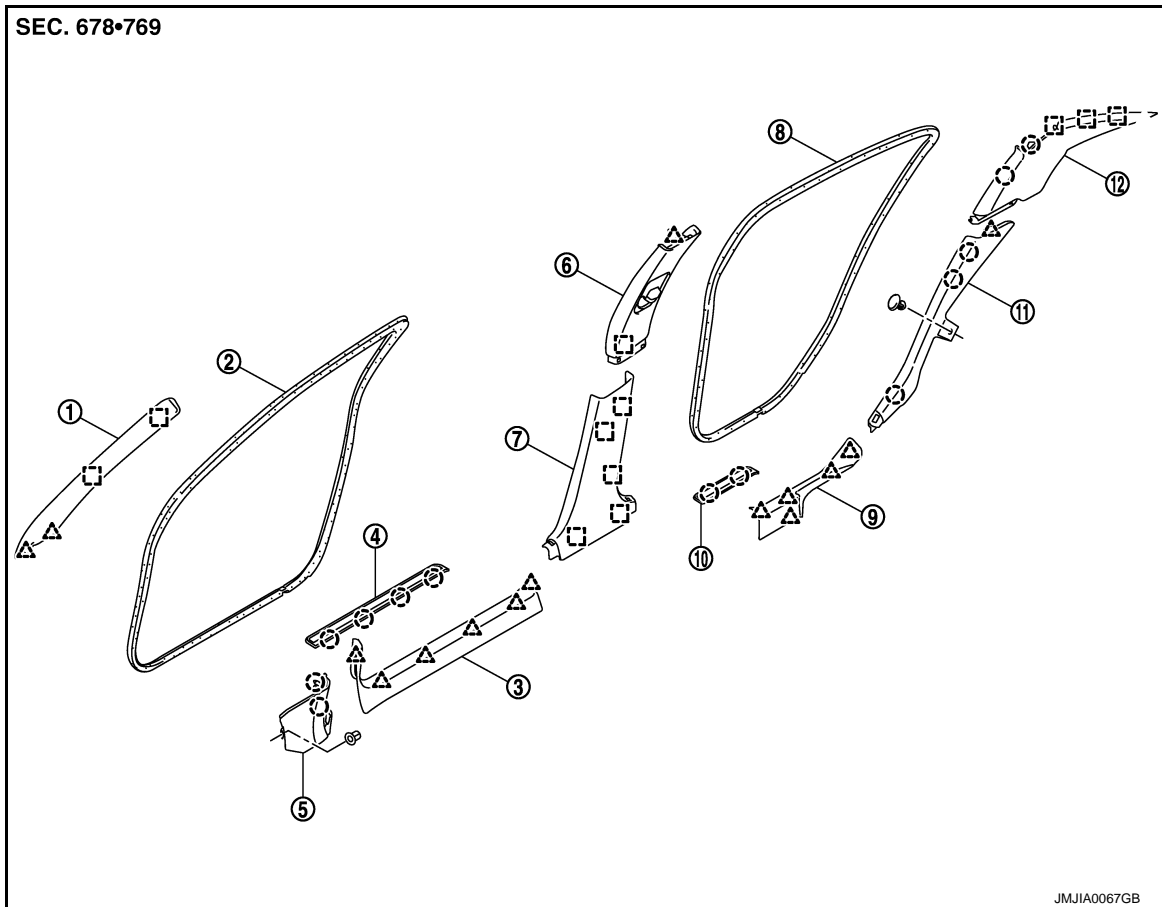
# BODY SIDE TRIM

< REMOVAL AND INSTALLATION >

## BODY SIDE TRIM

Exploded View

INFOID:000000001831472



- |                                |                              |                                |
|--------------------------------|------------------------------|--------------------------------|
| 1. Front pillar garnish        | 2. Front body side welt      | 3. Front kicking plate inner   |
| 4. Front kicking plate outer   | 5. Dash side finisher        | 6. Center pillar upper garnish |
| 7. Center pillar lower garnish | 8. Rear body side welt       | 9. Rear kicking plate inner    |
| 10. Rear kicking plate outer   | 11. Rear wheel house garnish | 12. Rear pillar finisher       |

○ : Clip

△ : Pawl

□ : Metal clip

## Removal and Installation

INFOID:000000001831473

### CAUTION:

- Wrap the tip of flat-bladed screwdriver with a cloth when removing metal clips from garnishes.
- Do not damage the body.

### REMOVAL

#### FRONT PILLAR GARNISH

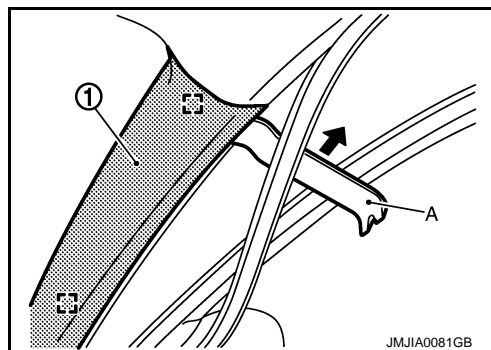
1. Release front pillar portion of front body side welt.

## BODY SIDE TRIM

### < REMOVAL AND INSTALLATION >

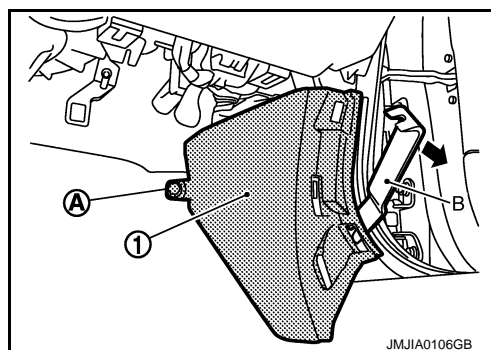
- Remove pillar garnish mounting metal clips with a remover tool (A), and then remove pillar garnish (1).

 : Metal clip




### DASH SIDE FINISHER

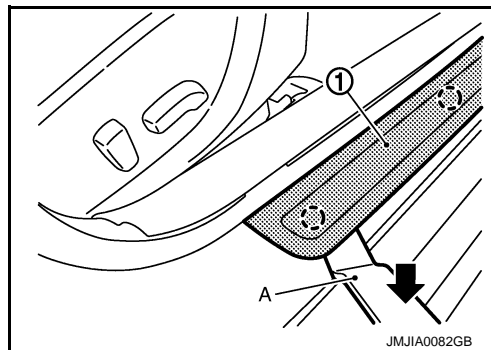
- Remove instrument passenger lower cover. (Passenger side only) Refer to [IP-12, "Removal and Installation"](#).
- Remove kicking plate inner.
- Remove clip (A).
- Remove dash side finisher mounting clips with a remover tool (B), and then remove dash side finisher (1).



### FRONT KICKING PLATE OUTER


Remove front kicking plate outer mounting clips with a remover tool (A), and then remove kicking plate outer (1).

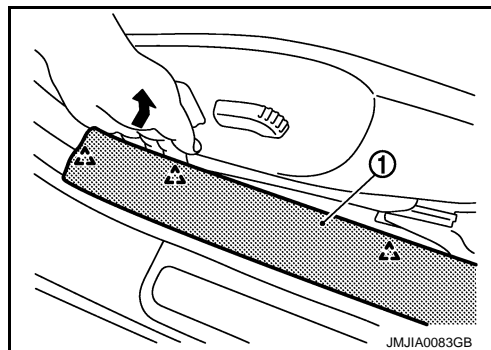
 : Clip



### FRONT KICKING PLATE INNER

- Pull up front kicking plate inner, and disconnect pawls.
- Remove front kicking plate inner (1).

 : Pawl



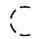
### REAR KICKING PLATE OUTER

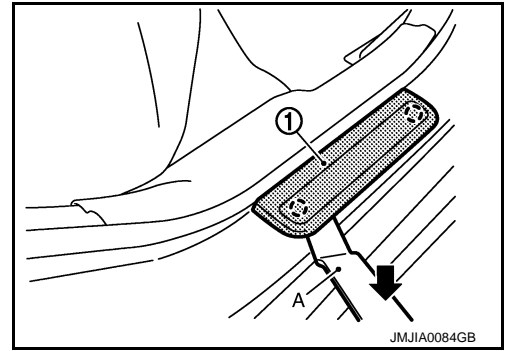
A  
B  
C  
D  
E  
F  
G  
H  
I  
INT  
K  
L  
M  
N  
O  
P

## BODY SIDE TRIM

### < REMOVAL AND INSTALLATION >

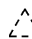
Remove rear kicking plate outer mounting clips with a remover tool (A), and then remove kicking plate outer (1).

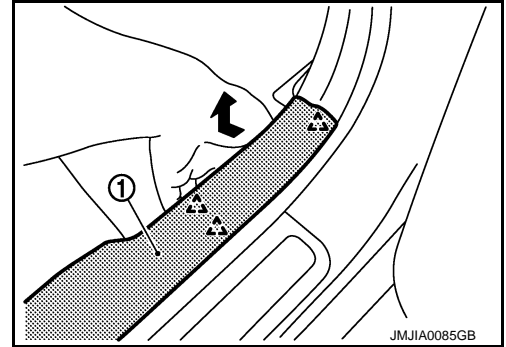
 : Clip



### REAR KICKING PLATE INNER

1. Pull up rear kicking plate inner, and disconnect pawls.
2. Remove rear kicking plate inner (1).

 : Pawl



### FRONT BODY SIDE WELT

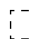
1. Remove front kicking plate inner.
2. Remove front body side welt.

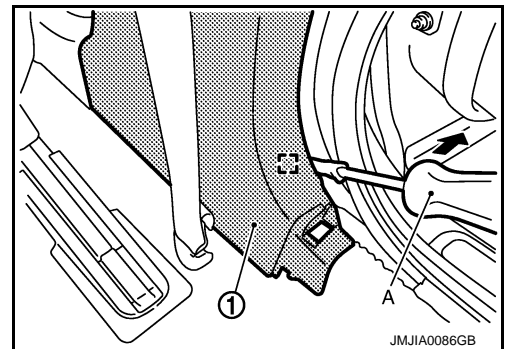
### REAR BODY SIDE WELT

1. Remove rear kicking plate inner.
2. Remove rear body side welt.

### CENTER PILLAR LOWER GARNISH

1. Remove front kicking plate inner.
2. Remove rear kicking plate inner.
3. Remove front body side welt.
4. Remove rear body side welt.
5. Remove center pillar lower garnish mounting metal clips with a screwdriver (A), and then remove center pillar lower garnish (1).

 : Metal clip



### CENTER PILLAR UPPER GARNISH

1. Remove center pillar lower garnish.
2. Remove front seat belt floor anchor bolt and front seat belt shoulder anchor bolt. Refer to [SB-6. "SEAT BELT RETRACTOR : Removal and Installation"](#).

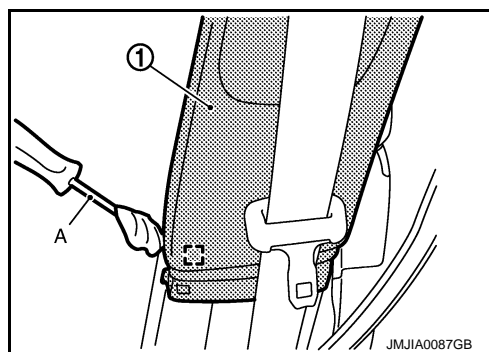


## BODY SIDE TRIM

### < REMOVAL AND INSTALLATION >


3. Remove center pillar upper garnish mounting metal clips with a screwdriver (A), and then remove center pillar upper garnish (1).

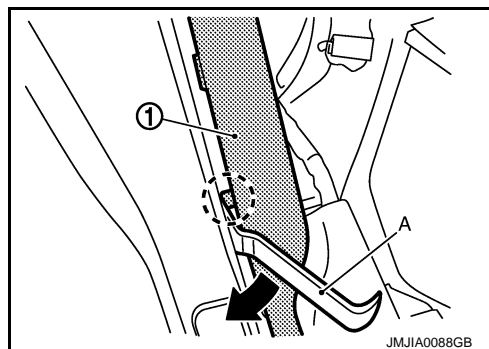
 : Metal clip



### REAR WHEEL HOUSE GARNISH



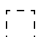
1. Remove rear seat cushion and rear seat back. Refer to [SE-63, "Removal and Installation"](#).
2. Remove rear body side welt.
3. Remove rear wheel house garnish mounting clips using a remover tool (A), and then remove rear wheel house garnish (1).

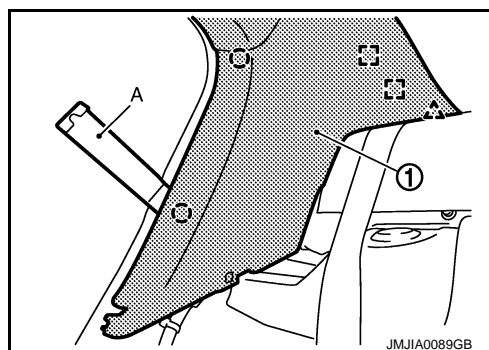
 : Clip



### REAR PILLAR FINISHER

1. Remove rear seat cushion and rear seatback. Refer to [SE-63, "Removal and Installation"](#).
2. Remove rear seat belt floor anchor bolt. Refer to [SB-11, "SEAT BELT RETRACTOR : Removal and Installation"](#).
3. Remove rear kicking plate inner.
4. Remove rear body side welt.
5. Remove rear wheel house garnish.
6. Remove pillar finisher mounting clips and metal clips with a remover tool (A), and then remove pillar finisher (1).

 : Clip  
 : Pawl  
 : Metal clip

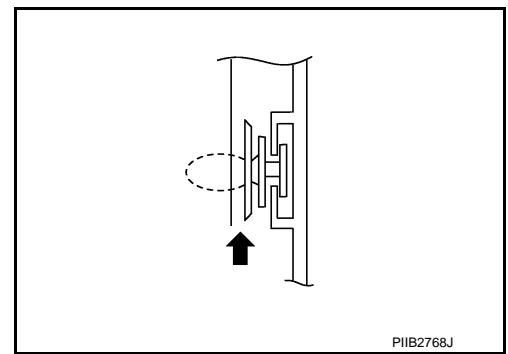


**CAUTION:**

## BODY SIDE TRIM

### < REMOVAL AND INSTALLATION >

Insert a clip clamp remover wrapped with a shop cloth or remover tool into the part shown by the arrow (between the clips and the body side panel).



### INSTALLATION

Install in the reverse order of removal.

#### **CAUTION:**

Check that clips are securely fitted in panel holes on body when installing, and then press them in.

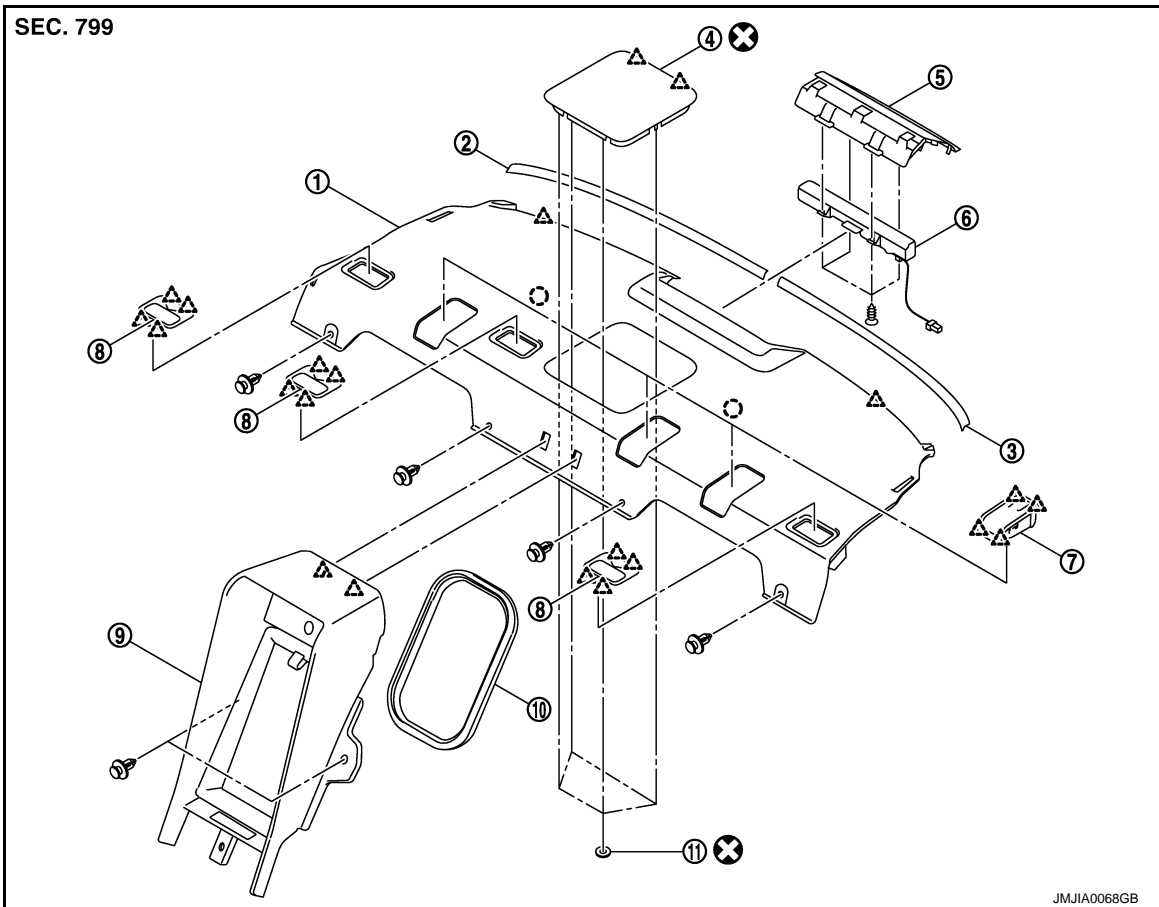
# REAR PARCEL SHELF FINISHER

< REMOVAL AND INSTALLATION >

## REAR PARCEL SHELF FINISHER

Exploded View

INFOID:000000001831474



- |                               |                                 |                                    |
|-------------------------------|---------------------------------|------------------------------------|
| 1. Rear parcel shelf finisher | 2. Rear parcel side cover (RH)  | 3. Rear parcel side cover (LH)     |
| 4. Woofer grille              | 5. High-mounted stop lamp cover | 6. High-mounted stop lamp assembly |
| 7. Child anchor cover         | 8. Rear seat belt finisher      | 9. Seatback center finisher        |
| 10. Seatback finisher welt    | 11. Push on nut                 |                                    |

- : Clip  
 △ : Pawl

Refer to [GI-4. "Components"](#) for symbols in the figure.

### Removal and Installation

INFOID:000000001831475

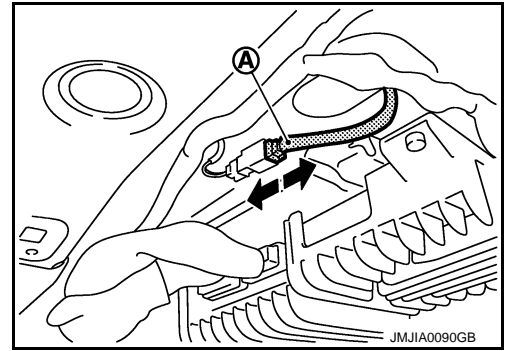
#### REMOVAL

1. Remove trunk front finisher upper. Refer to [INT-27. "Removal and Installation"](#).

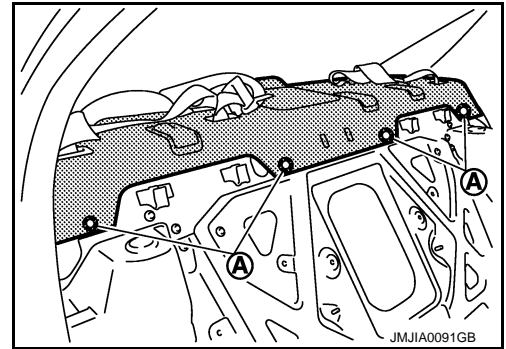
## REAR PARCEL SHELF FINISHER

### < REMOVAL AND INSTALLATION >

2. Disconnect high-mounted stop lamp harness connector (A).  
(without REAR SPOILER)



3. Remove rear seat cushion and rear seatback. Refer to [SE-63, "Removal and Installation"](#).
4. Remove rear kicking plate inner, rear wheelhouse garnish, rear pillar finisher. Refer to [INT-14, "Removal and Installation"](#).
5. Remove seatback center finisher mounting clips, and then remove seatback center finisher.
6. Remove rear seat belt floor anchor bolt and rear seat belt shoulder anchor bolt. Refer to [SB-11, "SEAT BELT RETRACTOR : Removal and Installation"](#).
7. Remove rear parcel shelf finisher mounting clips (A).



8. Remove clips from rear of rear parcel shelf finisher, and then remove rear parcel shelf finisher.
9. Remove the following parts after removing rear parcel shelf finisher.
  - Child anchor cover.
  - Woofer grille.
  - High-mounted stop lamp. (without REAR SPOILER) Refer to [EXL-201, "WITHOUT REAR SPOILER : Removal and Installation"](#).

### INSTALLATION

Install in the reverse order of removal.

#### **CAUTION:**

**Check that clips are securely fitted in panel holes on body when installing, and then press them in.**

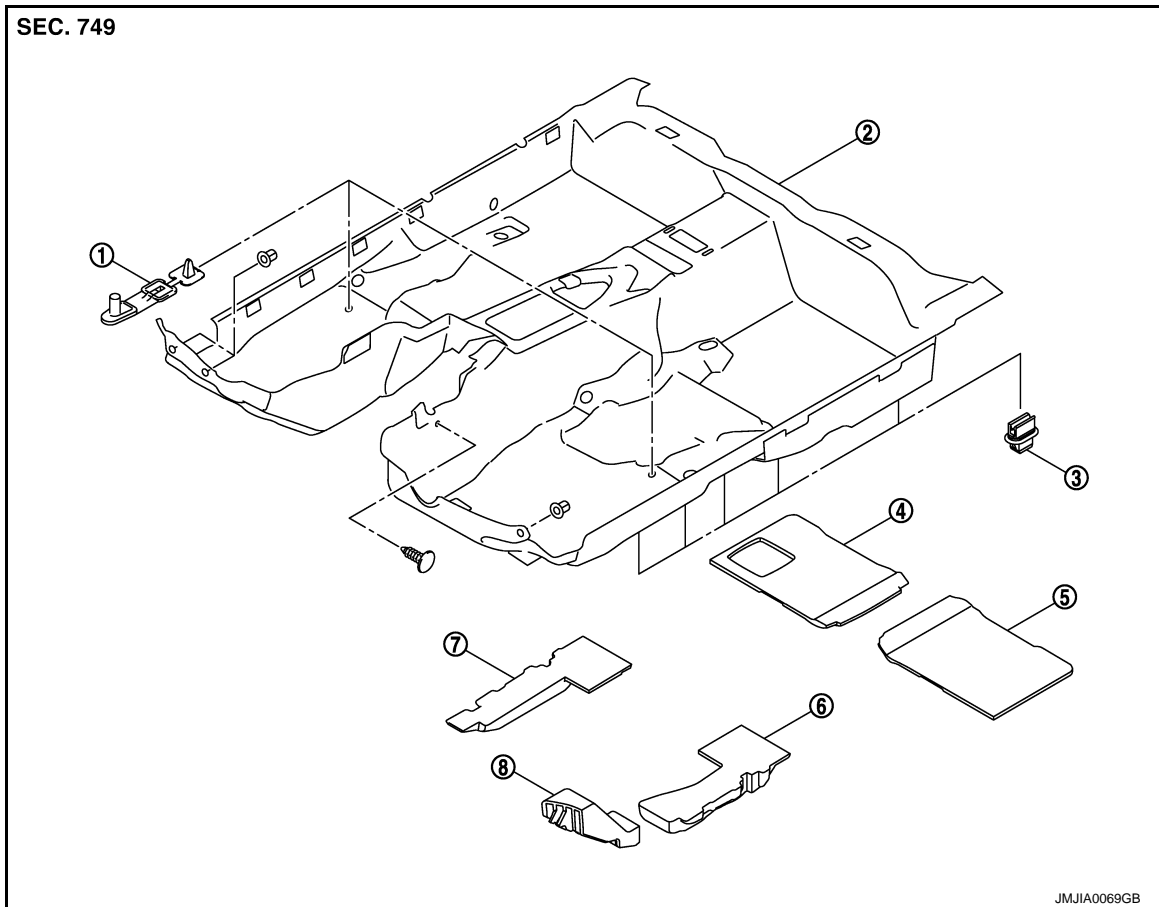
# FLOOR TRIM

< REMOVAL AND INSTALLATION >

## FLOOR TRIM

Exploded View

INFOID:000000001831476




- |                            |                           |                            |
|----------------------------|---------------------------|----------------------------|
| 1. Floor hook              | 2. Floor trim             | 3. Fixing clip             |
| 4. Rear floor spacer (RH)  | 5. Rear floor spacer (LH) | 6. Front floor spacer (LH) |
| 7. Front floor spacer (RH) | 8. Footrest               |                            |

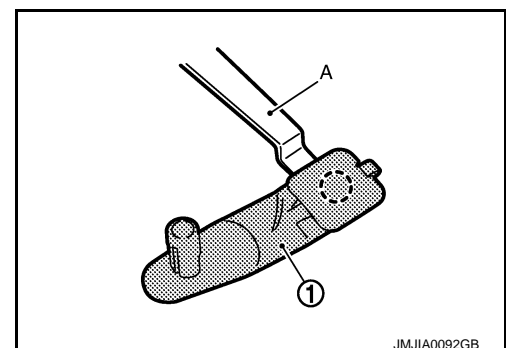
## Removal and Installation

INFOID:000000001831477

### REMOVAL

1. Remove front seat (LH/RH) and rear seat cushion. Refer to [SE-63. "Removal and Installation"](#).
2. Remove accelerator pedal pad. Refer to [ACC-3. "Removal and Installation"](#).
3. Disengage clip of floor hook (1) with remover tool (A).

 : Clip

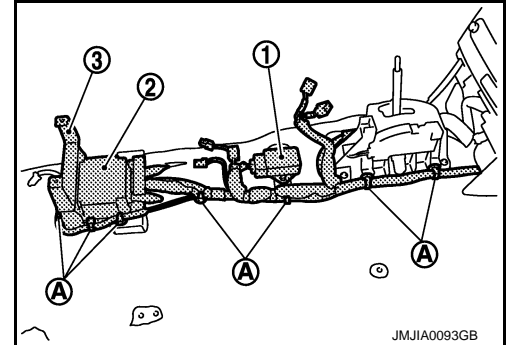


4. Remove foot grille (LH/RH). Refer to [VTL-52. "FOOT GRILLE : Removal and Installation"](#).

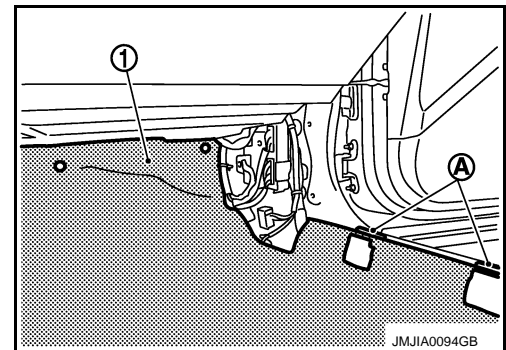
## FLOOR TRIM

### < REMOVAL AND INSTALLATION >

5. Remove front seat belt floor anchor bolt (LH/RH). Refer to [SB-6. "SEAT BELT RETRACTOR : Removal and Installation"](#).
6. Remove center console. Refer to [IP-12. "Removal and Installation"](#).
7. Remove rear floor duct.
  - Refer to [VTL-55. "REAR FLOOR DUCT 1 \(WITHOUT REAR VENTILATOR\) : Removal and Installation"](#) (without REAR VENTILATOR)
  - Refer to [VTL-56. "REAR FLOOR DUCT 1 & REAR VENTILATOR DUCT 1\(WITH REAR VENTILATOR\) : Removal and Installation"](#) (with REAR VENTILATOR)
8. Remove instrument lower cover and instrument driver panel, instrument assist lower panel. Refer to [IP-12. "Removal and Installation"](#).
9. Remove instrument side panel (LH/RH). Refer to [IP-12. "Removal and Installation"](#).
10. Remove G-sensor (1). Refer to [BRC-105. "Removal and Installation"](#).
11. Remove diagnosis sensor unit (2). Refer to [SR-16. "Removal and Installation"](#).
12. Remove floor harness mounting clamps (A).
13. Remove console rear bracket (3). Refer to [IP-12. "Removal and Installation"](#).



14. Remove dash side finisher, front kicking plate inner, center pillar lower garnish, and rear kicking plate inner, front body side welt (LH/RH), rear body side welt (LH/RH). Refer to [INT-14. "Removal and Installation"](#).
15. Remove floor trim mounting clips and fixing nuts.
16. Remove floor trim from floor trim fixing clips (A) and remove floor carpet (1).



### INSTALLATION

Install in the reverse order of removal.

# HEADLINING

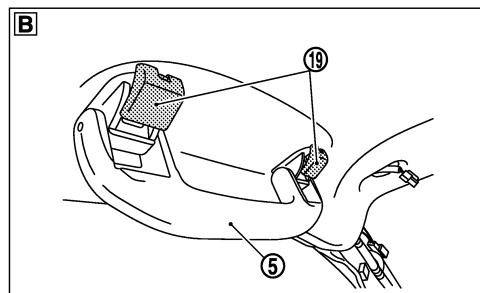
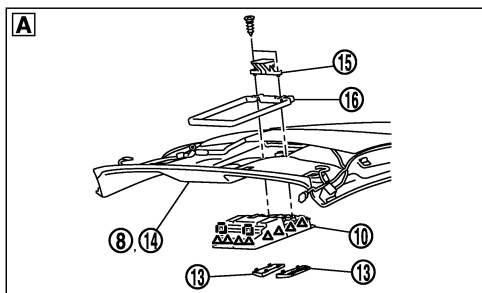
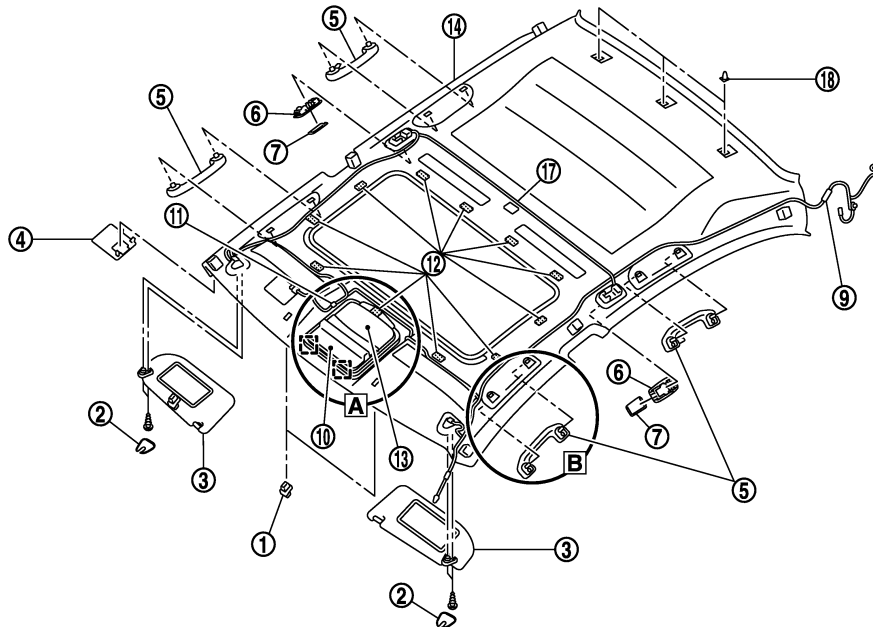
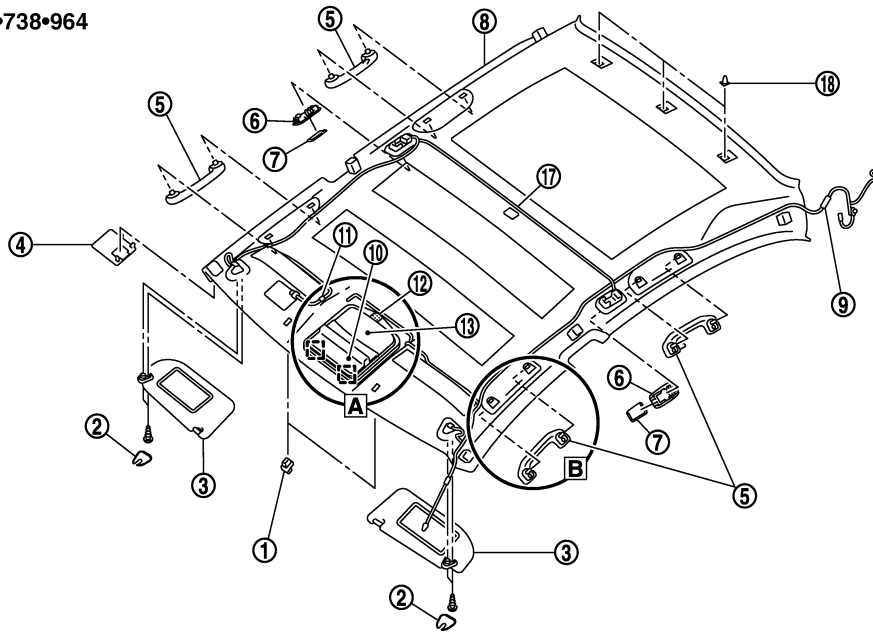
< REMOVAL AND INSTALLATION >

## HEADLINING

Exploded View

INFOID:000000001831478

SEC. 264•738•964



JMJIA0070GB


- |                        |                                 |                           |
|------------------------|---------------------------------|---------------------------|
| 1. Sun visor holder    | 2. Sun visor cover              | 3. Sun visor assembly     |
| 4. Roof front finisher | 5. Assist grip                  | 6. Personal lamp finisher |
| 7. Personal lamp lens  | 8. Headlining (without SUNROOF) | 9. Antenna feeder         |

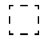
A  
B  
C  
D  
E  
F  
G  
H  
I  
INT  
K  
L  
M  
N  
O  
P

# HEADLINING

## < REMOVAL AND INSTALLATION >

- |                         |                               |                        |
|-------------------------|-------------------------------|------------------------|
| 10. Map lamp assembly   | 11. Roof harness              | 12. Dual lock fastener |
| 13. Map lamp lens       | 14. Headlining (with SUNROOF) | 15. Roof bracket       |
| 16. Roof plate assembly | 17. Personal lamp assembly    | 18. Rear hidden clip   |
| 19. Assist grip clip    |                               |                        |

 : Pawl


 : Metal clip

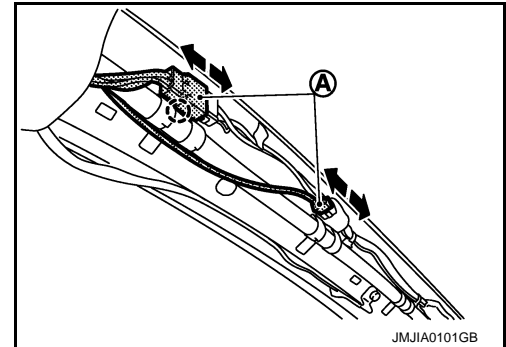
## Removal and Installation

INFOID:000000001831479

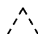
### REMOVAL

1. Remove front body side welt (LH/RH). Refer to [INT-14, "Removal and Installation"](#).
2. Remove front pillar garnish (LH/RH). Refer to [INT-14, "Removal and Installation"](#).
3. Remove antenna feeder securing clips with a remover tool after removing front pillar garnish (LH), then disconnect antenna feeder connectors (A).

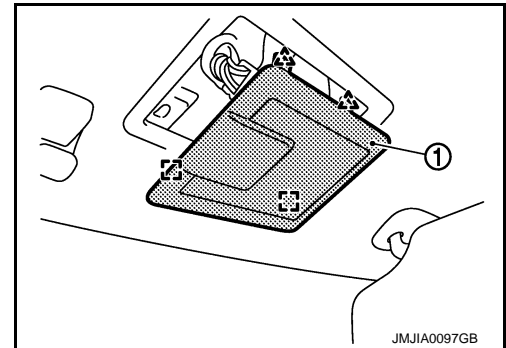
 : Clip



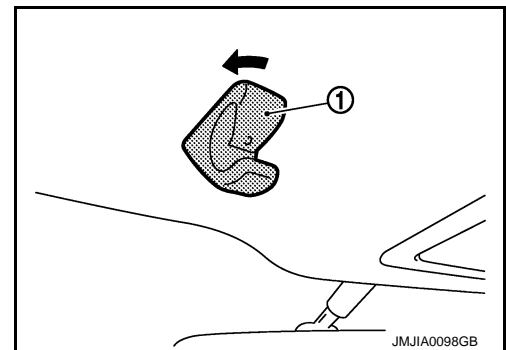
4. Remove front roof finisher mounting metal clips and pawls, and then remove front roof finisher (1).

 : Pawl

 : Metal clip



5. Remove sun visor assembly (LH/RH).
  - Remove sun visor cover.
  - Remove sun visor assembly mounting screws.
  - Disconnect vanity mirror lamp harness connectors.
6. Rotate 45 degrees and remove sun visor holder (1) (LH/RH).

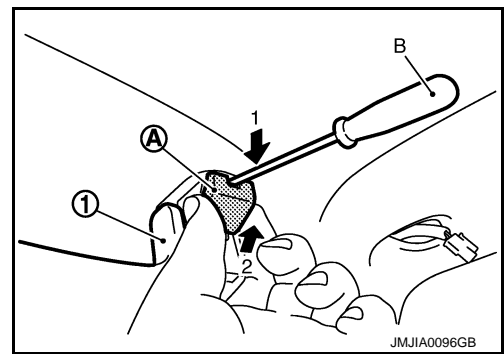





# HEADLINING

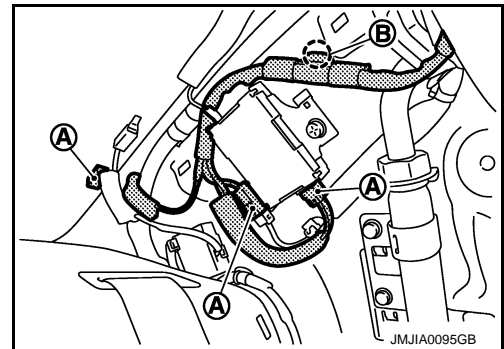
## < REMOVAL AND INSTALLATION >

7. Remove mounting plastic clips (A) using a screwdriver (B) from front and rear assistance grips (1), and then remove assist grips.



8. Remove rear seat cushion and seatback. Refer to [SE-63. "Removal and Installation"](#).
9. Remove front kicking plate inner, center pillar lower garnish, center pillar upper garnish, rear kicking plate inner, rear wheelhouse garnish, rear pillar finisher. Refer to [INT-14. "Removal and Installation"](#).
10. Disconnect antenna feeder connectors (A) of antenna amplifier and sub-antenna feeder after removing rear pillar finisher (LH), and then remove antenna feeder securing clip (B) with a remover tool.

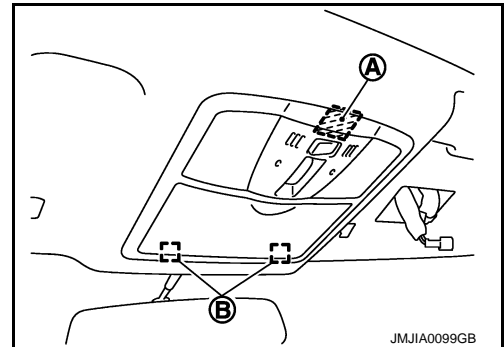
 : Clip



11. Remove passenger seat assembly. Refer to [SE-53. "Removal and Installation"](#).
12. With a removal tool, remove body side mounting plastic clip from rear end of headlining.
13. Pull map lamp assembly toward vehicle lower, and disengage dual-lock fastener (A) and metal clips (B).

**CAUTION:**

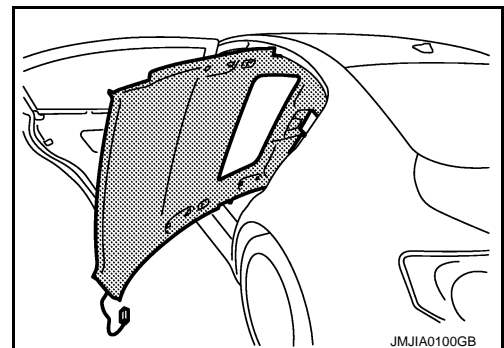
Map lamp assembly is crimped from back of headlining. Remove it by disengaging the crimped area of back of map lamp assembly after removing headlining from the vehicle.



14. Remove headlining from rear door left opening.

**CAUTION:**

- When removing, 2 workers are required. (1 for the front and rear of headlining)
- Cover center console finisher upper surface with a shop cloth to prevent it from being damaged.
- Do not bend headlining when removing.



15. Remove the following parts after removing headlining.
- Personal lamp (LH/RH). Refer to [INL-102. "Removal and Installation"](#).
  - Map lamp assembly (without LDW system). Refer to [INL-97. "Removal and Installation"](#).
  - Roof harness assembly.
  - Antenna feeder assembly.

## HEADLINING

< REMOVAL AND INSTALLATION >

---

### INSTALLATION

Install in the reverse order of removal.

**CAUTION:**

- Install headlining assembly after inserting clips to clip holder of headlining rear end.
- Do not bend headlining when installing.

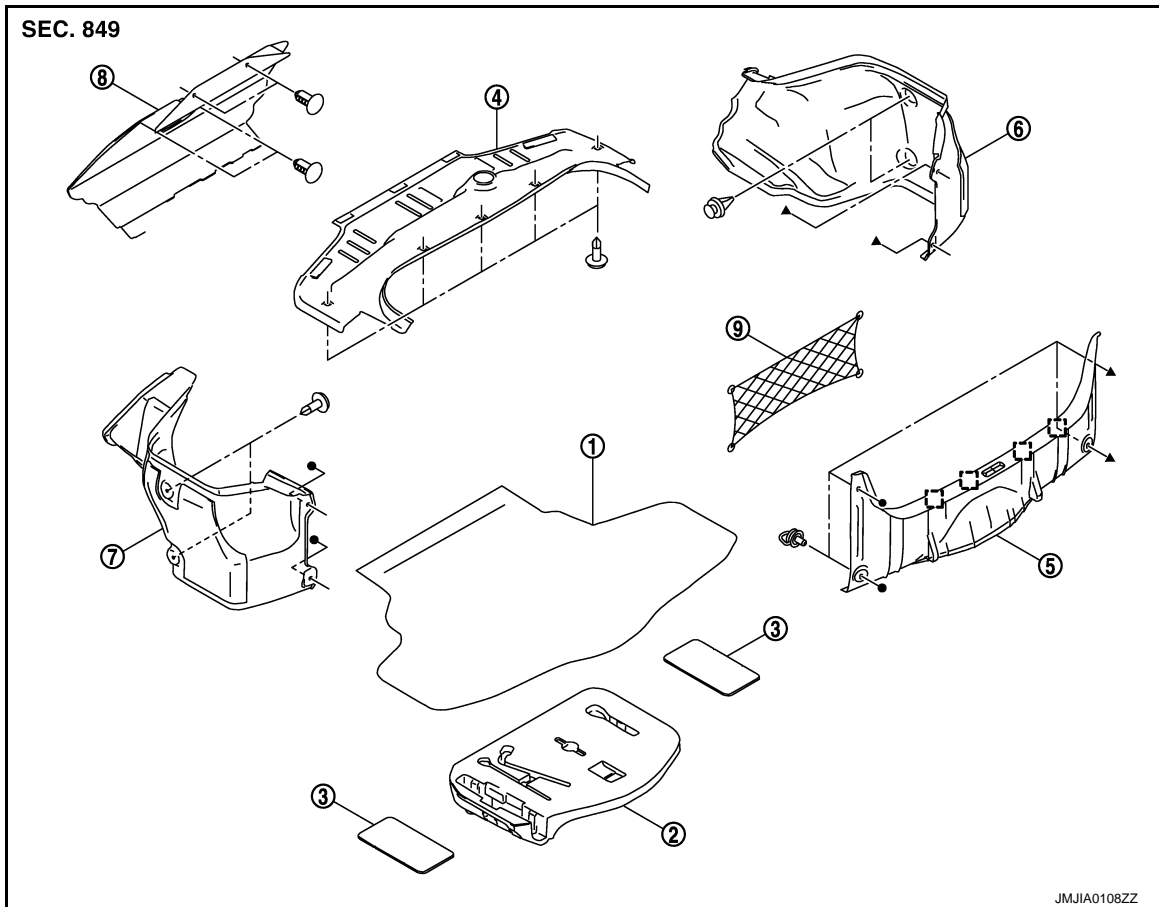
# TRUNK ROOM TRIM

< REMOVAL AND INSTALLATION >

## TRUNK ROOM TRIM

Exploded View

INFOID:000000001831480



- |                                   |                         |                                   |
|-----------------------------------|-------------------------|-----------------------------------|
| 1. Trunk floor carpet             | 2. Trunk center box     | 3. Trunk floor felt               |
| 4. Trunk front finisher upper     | 5. Trunk rear plate     | 6. Rear wheel house finisher (RH) |
| 7. Rear wheel house finisher (LH) | 8. Trunk front finisher | 9. Trunk net                      |

 : Metal clip

## Removal and Installation

INFOID:000000001831481

### REMOVAL

1. Fully open trunk lid assembly.
2. Remove trunk weather-strip.
3. Remove trunk floor carpet.
4. Remove trunk floor felt.
5. Remove trunk floor box.
6. Remove trunk rear plate mounting metal clips, and then remove trunk rear plate.
7. Remove trunk front upper finisher mounting clips, and then remove trunk front upper finisher.
8. Remove trunk side finisher mounting clips, and then remove trunk side finisher (LH/RH).
9. Remove trunk front finisher mounting clips, and then remove trunk front finisher.
10. Remove rear seat cushion and rear seatback. Refer to [SE-63. "Removal and Installation"](#).

### INSTALLATION

Install in the reverse order of removal.

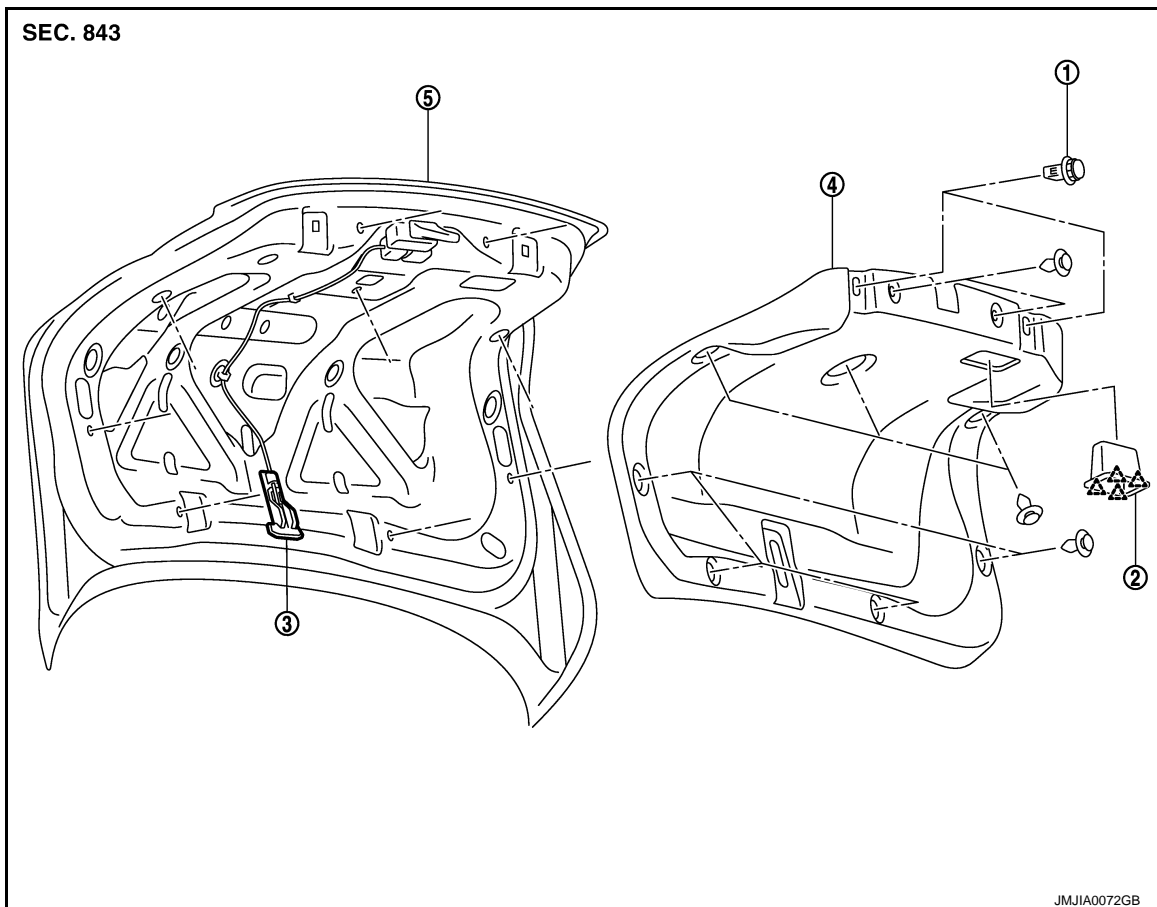
# TRUNK LID TRIM

< REMOVAL AND INSTALLATION >

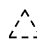
## TRUNK LID TRIM

Exploded View

INFOID:000000003116675



- |                             |                          |                     |
|-----------------------------|--------------------------|---------------------|
| 1. Trunk lid bumper rubber  | 2. Trunk lid pull handle | 3. Emergency handle |
| 4. Trunk lid finisher inner | 5. Trunk lid             |                     |

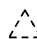
 : Pawl

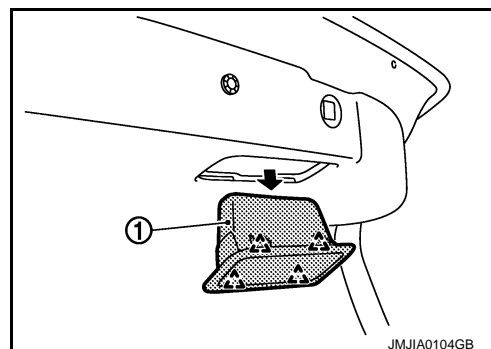
### Removal and Installation

INFOID:000000003116676

#### REMOVAL

1. Fully open trunk lid assembly.
2. Remove trunk lid bumper rubber.
3. Remove trunk lid pull handle (1).


 : Pawl

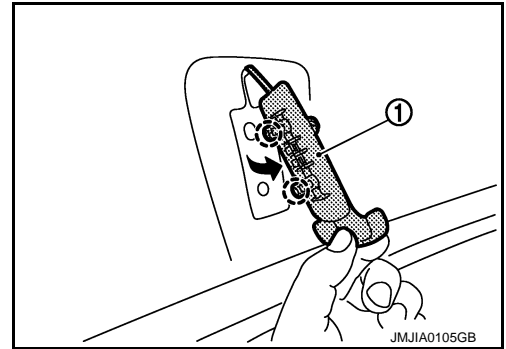


# TRUNK LID TRIM

## < REMOVAL AND INSTALLATION >

4. Remove trunk lid emergency handle holder (1).

 : Clip



5. Remove trunk lid finisher mounting clips, and then remove trunk lid finisher inner.

## INSTALLATION

Install in the reverse order of removal.

A  
B  
C  
D  
E  
F  
G  
H  
I  
INT  
K  
L  
M  
N  
O  
P